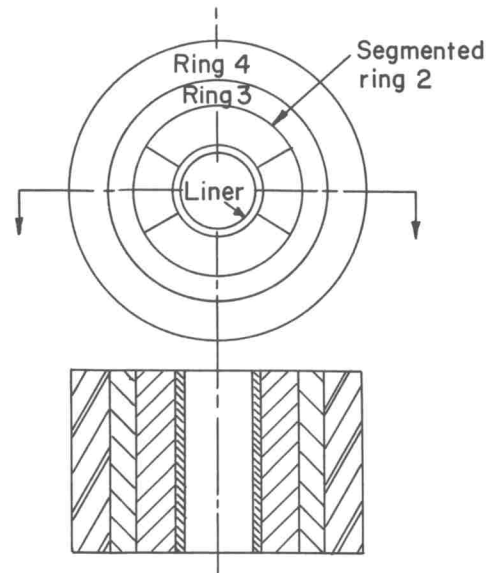
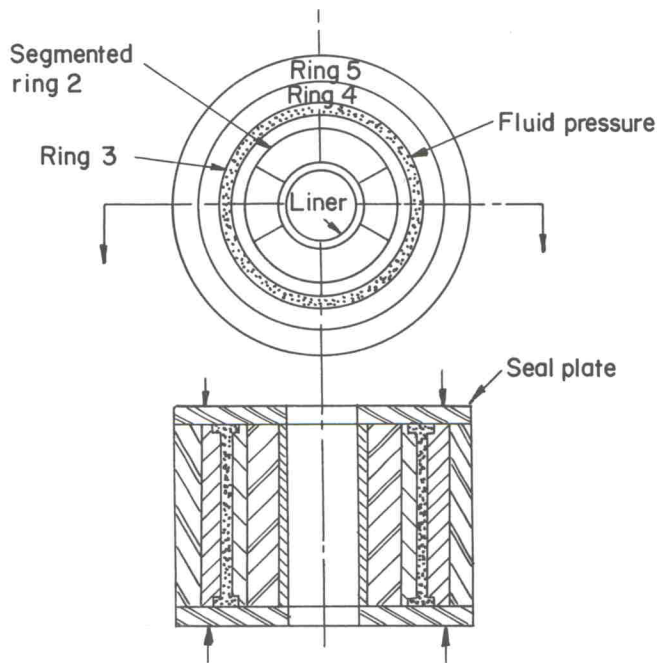


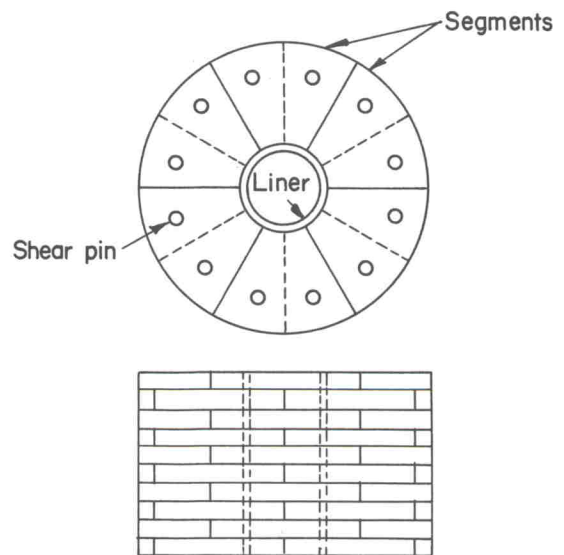
a. Multi-Ring Container



b. Ring-Segment Container



c. Ring-Fluid-Segment Container



d. Pin-Segment Container

A-52364

FIGURE 7. SCHEMATIC OF HIGH-PRESSURE-CONTAINER DESIGN CONCEPTS ANALYZED IN THE PRESENT STUDY

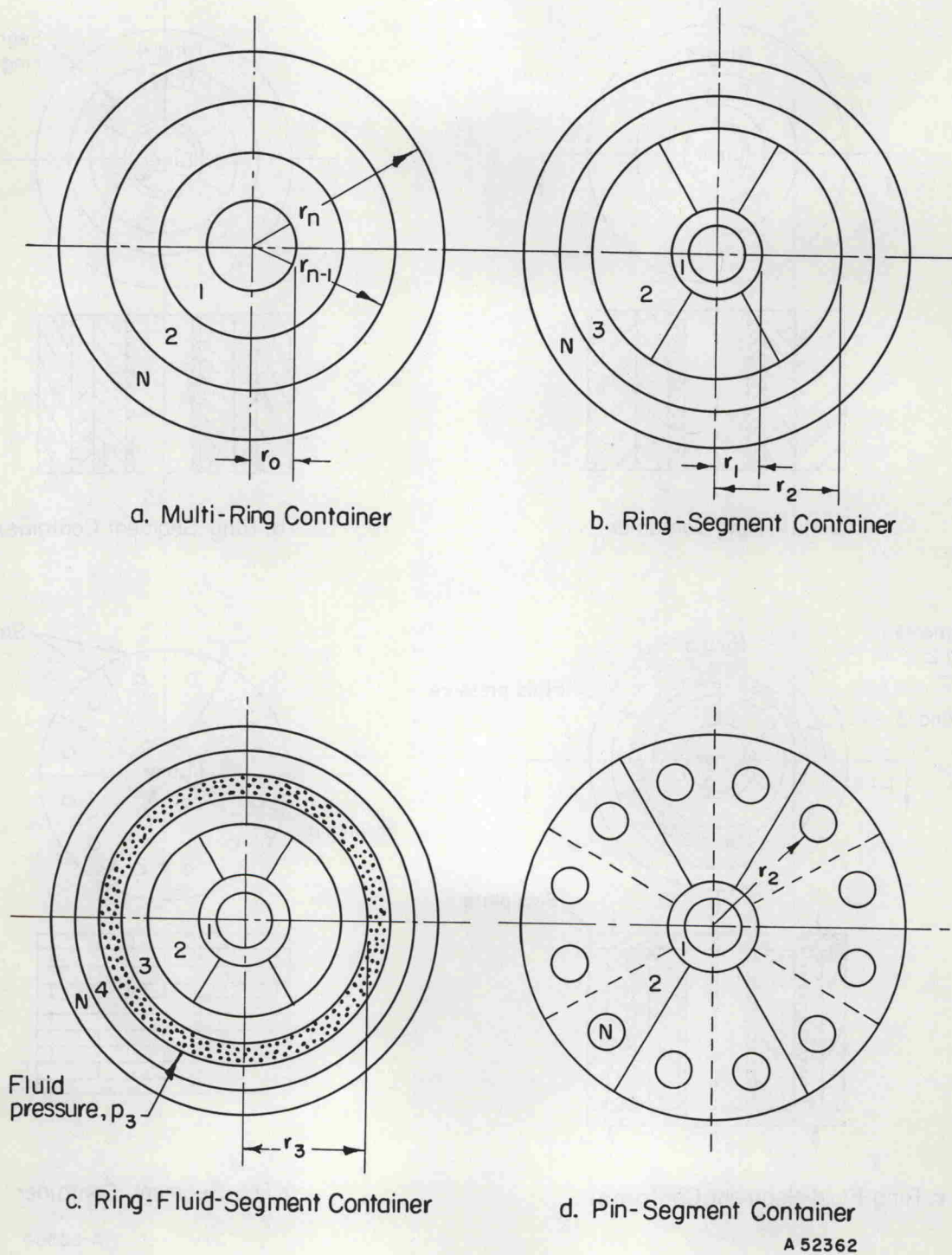


FIGURE 8. NOTATIONS USED FOR ANALYSIS OF CONTAINER DESIGN CONCEPTS